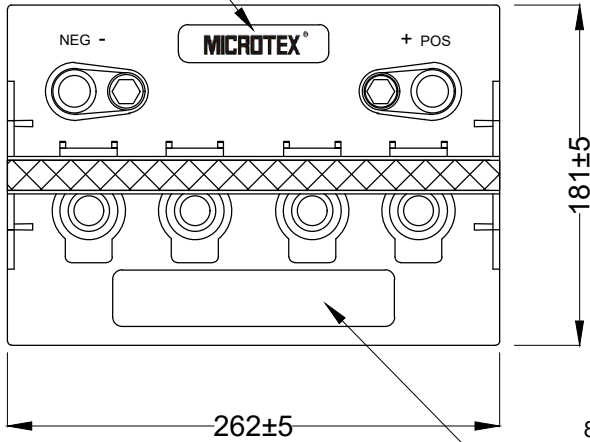
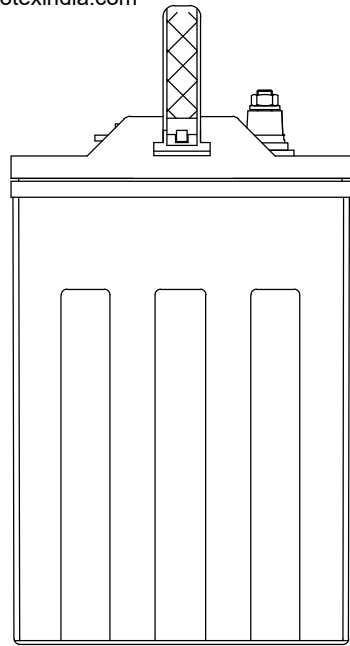
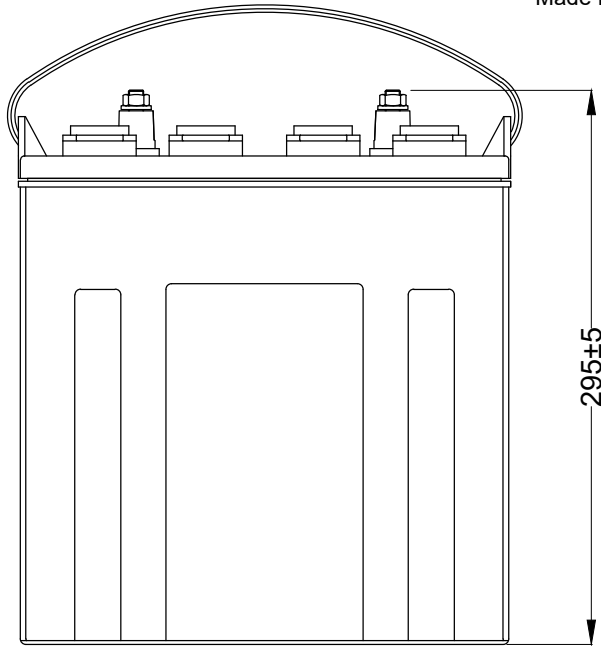



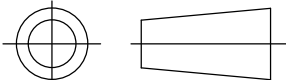
This drg is confidential and the property of M/S MICROTEx ENERGY P LTD. BENGALURU and is issued to you on the condition that no disclosure is made by you without the written authorisation from M/S MICROTEx ENERGY P LTD. BENGALURU

'MICROTEx' Logo Embossed



STGT8V115P
 8 Volts 115Ah @ 5Hr Rate
 Mfd. by: Microtex Energy P. Ltd.
 Bengaluru-560058
 Made In India. www.microtexindia.com



REV.	DATE	DESCRIPTION				INITIALS
MATERIAL:-	2018	NAME	SIGN	DATE	 MICROTEx[®] MICROTEX ENERGY P LTD. BENGALURU - 58	
CONTAINER- PPCP	DRN	SKV				
LID- PPCP	CHD	PA				
FINISH :-	APPD	RB				
DRG.UNIT:-	SCALE: NOT TO SCALE				Title:- SEMI TRACTION BATTERY Type : STGT8V115P Cap. : 8V 115Ah @ 5 Hr.	
MM	UNLESS OTHERWISE SPECIFIED TOLERANCE ± As on Drg.					
						
DRG. NO. : ME - 01ST - 14						
REV						