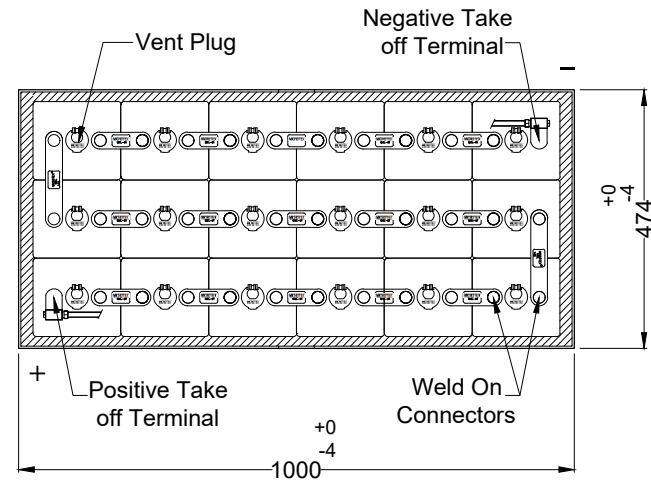


TRAY FOR 36V 336Ah


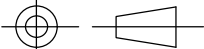
- NOTES :-**
- a) Material :- Mild Steel
 - b) Tray Shall Be Painted With Approved Colour **Black** (Pure Polyester Powder Coating)

This drg. is confidential and the property of M/S MICROTEx ENERGY P. LTD.BENGALURU and is issued to you on the condition that no further disclosure is made by you without the written authorisation from M/S MICROTEx ENERGY P. LTD.BENGALURU



CONNECTION LAYOUT FOR 36V 336Ah

- NOTES :-**
- a) Battery Dim.(Max) : **1000 L x 474 W x 400 H (mm)**
 - b) Cell Dim : 141 L x 158 W x 329/359 H (mm)
 - c) Cell type : 8MIPzB 336 (Weld On type)
 - d) Cell Height : 329 mm Up To Lid Top
 - e) Cable Details : Both pos.& Neg.takeoff terminal will have **35 sq.mm** cable of **1.5 meter** length & Cable Ends will be Connected to Flat type socket **SR175Amps**.

REV.	DATE	DESCRIPTION				INITIALS
MATERIAL:-	2018	NAME	SIGN	DATE	Title :- Traction Battery Layout & Tray For 36V 336Ah (8MIPzS 336 Cell)	
-----	DRN	SB				
FINISH:-	CHD	PA				
Smooth	APPD	RB			 MICROTEx [®] MICROTEx ENERGY (P) LTD BENGALURU - 58 	
DRG. UNIT:-	From	Up To	G. Tol	From		Up To
MM.	0	2	±0.1	40	200	±2
NOT TO SCALE	2	10	±0.5	200	1000	±4
	10	40	±1.0	1000	Above	±5
DRG. NO.:-	ME - 13B - 1316					
REV						