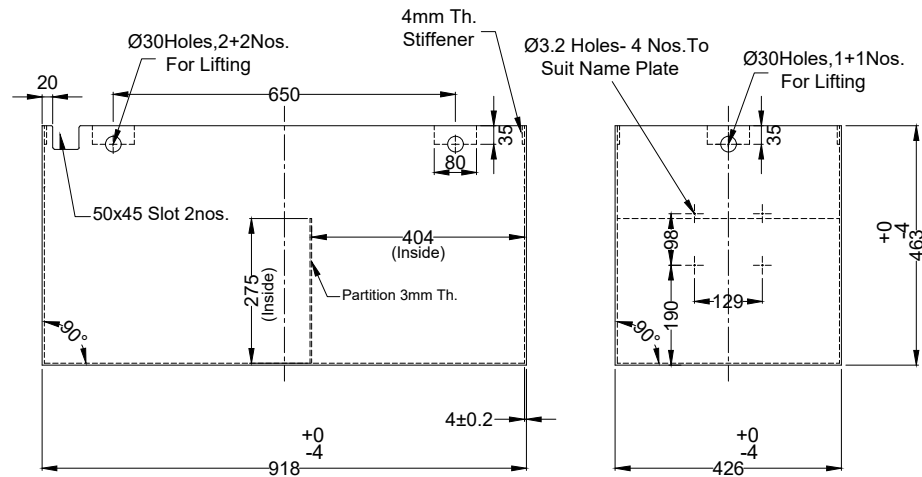
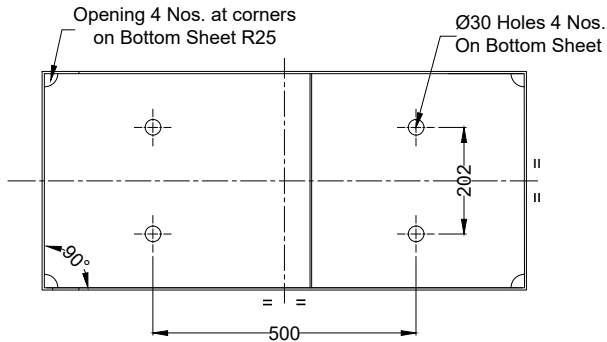
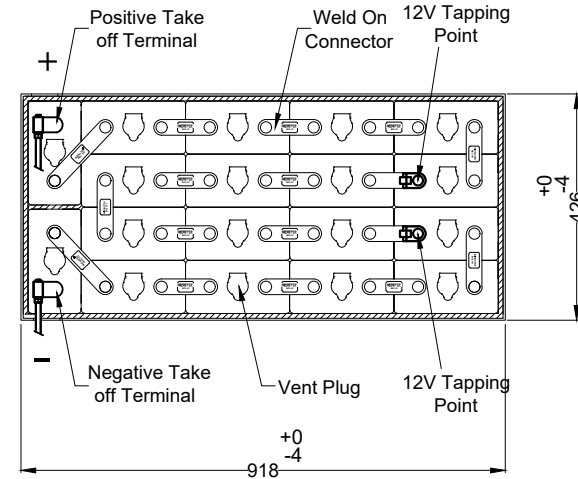


This drg is confidential and the property of M/S MICROTEx ENERGY P. LTD.BENGALURU
 And is issued to you on the condition that no further disclosure is made by you without the written
 authorisation from M/S MICROTEx ENERGY P. LTD.BENGALURU



TRAY FOR 36V 300Ah

NOTES :-
 a) Material :- Mild Steel
 b) Tray Shall Be Painted With Approved Colour **Black**
 (Pure Polyester Powder Coating)



CONNECTION LAYOUT FOR 36V 300Ah

NOTES :-
 a) Battery Dim.(Max) : **918 L x 426 W x 463 H (mm)**
 b) Cell Dim : 101 L x 198 W x 335/365 H (mm)
 c) Cell type : 5 MIPzS 300 (Weld On Type)
 d) Cell Height : 335 mm Up To Lid Top
 e) Cable Details : Both pos.& Neg.takeoff terminal will have
35 sq.mm cable of **1.5 meters** & Cable ends
 will be **connected to Flat type socket**
SR175Amps.

REV.	DATE	DESCRIPTION				INITIALS		
MATERIAL:-	2018	NAME	SIGN	DATE	Title :-	 MICROTEx ENERGY (P) LTD BENGALURU - 58		
-----	DRN	SB						
FINISH:-	CHD	PA			Traction Battery Layout & Tray For 36V 300Ah (5 MIPzS 300 Cell)	 DRG. NO.:- ME - 13B - 1489		
Smooth	APPD	RB						
DRG.UNIT:-	From	Up	To	G. Tol	From	Up	To	G. Tol
MM.	0	2	±0.1	40	200	±2		
	2	10	±0.5	200	1000	±4		
NOT TO SCALE	10	40	±1.0	1000	Above	±5		